

Project _____
 Item _____
 Quantity _____
 CSI Section 11400 _____
 Approval _____
 Date _____

Conserver® XL2

Models

- Conserver® XL2 Conserver® XL2-CMR Conserver® XL2-CML



Standard Features

- Electronic timer
- Built-in waste accumulator
- Delimer switch for easy removal of hard water deposits
- Removable scrap screen
- Air gap instead of vacuum breaker
- Door switch
- Convenient top mounted controls
- Auto start
- Interchangeable upper and lower stainless steel wash/rinse arms
- Internal sump saves space
- Wash/rinse thermometer
- Low chemical indicator lights
- Stainless steel adjustable bullet feet

Mandatory Specs

- Specify voltage _____

Options

- Water Hammer Arrestor
 Scaltrol
 Flanged Feet
 Audible Low Product Alarm

Accessories

- 36-Compartment Rack
 4-1/8" tall (105 mm)
 5-5/8" tall (143 mm)
 7" tall (178 mm)
 Combination Rack
 Peg Rack

Specifications

- Uses 1.06 gallons (4.0 liters) of water per rack
- 82 (78)* racks per hour
- Single point electrical connection
- Self-draining stainless steel pump eliminates soil/detergent carryover between wash and rinse cycles
- Fill and Dump design disposes of dirty water, replacing it with a fresh water rinse every cycle
- Dual-point drain connections allow for versatile installations
- 17-1/4" (438mm) vertical inside clearance
- Built-in chemical pumps and priming switches
- Accommodates two racks side-by-side
- Durable stainless steel construction
- 1-year parts and labor warranty



Intertek

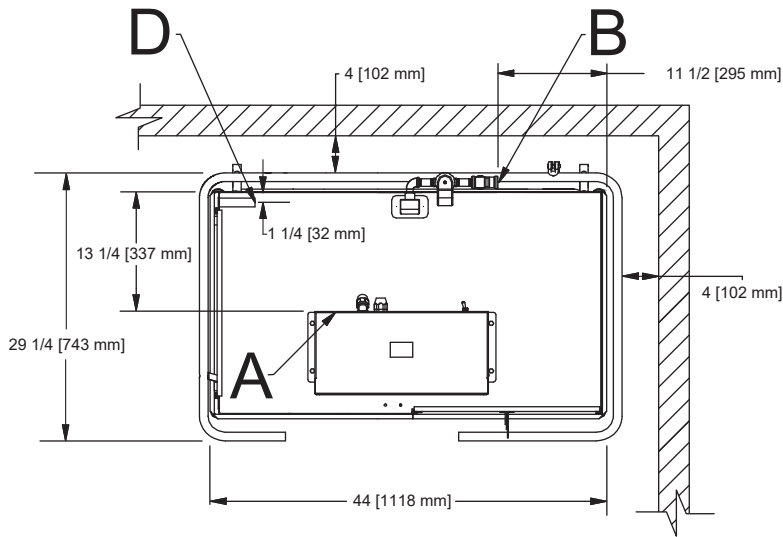


Intertek



*Racks per hour calculated with NSF suggested load time of five (5) seconds for door-type (straight thru)

Conserver® XL2-CMR



LEGEND

- A - Electrical Connection
- B - Water Inlet (3/4" NPT)
- C - Drain Connection (2" NPT)
- D - Chemical Connection

All dimensions from the floor can be increased 1 1/8" using the machine's adjustable feet.

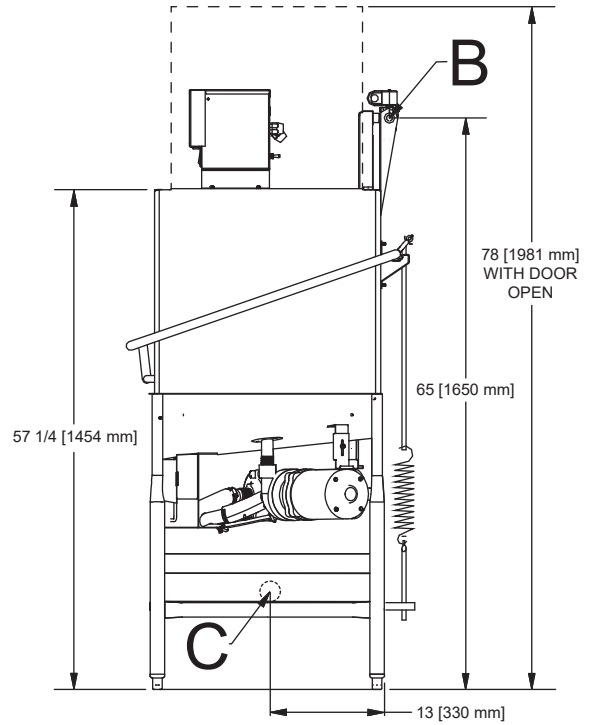
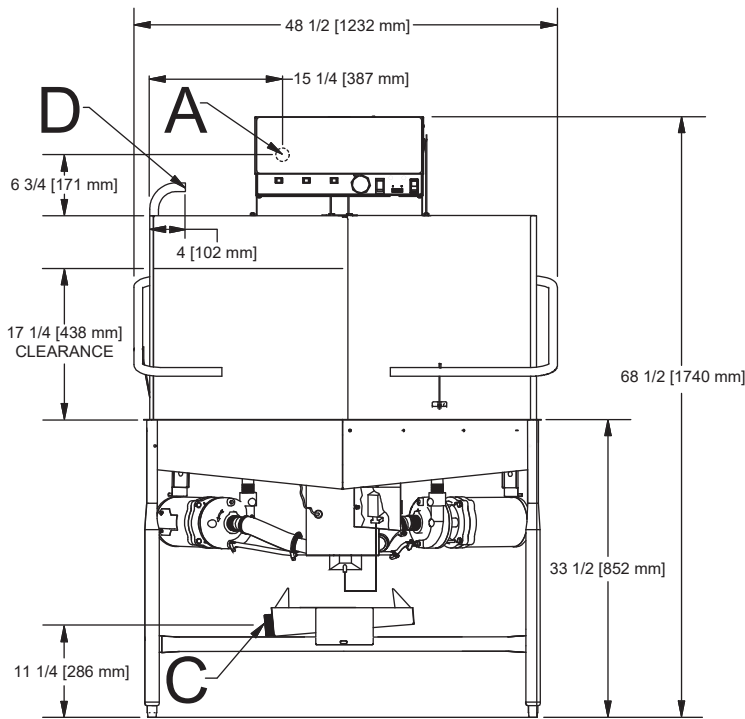
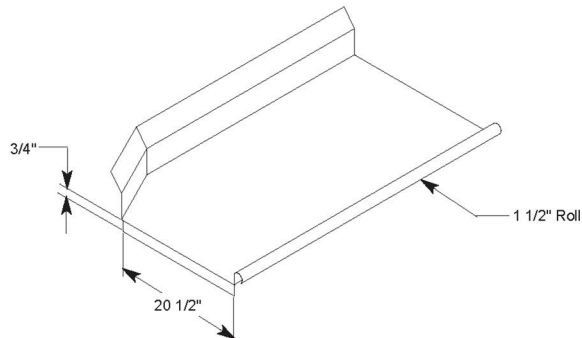
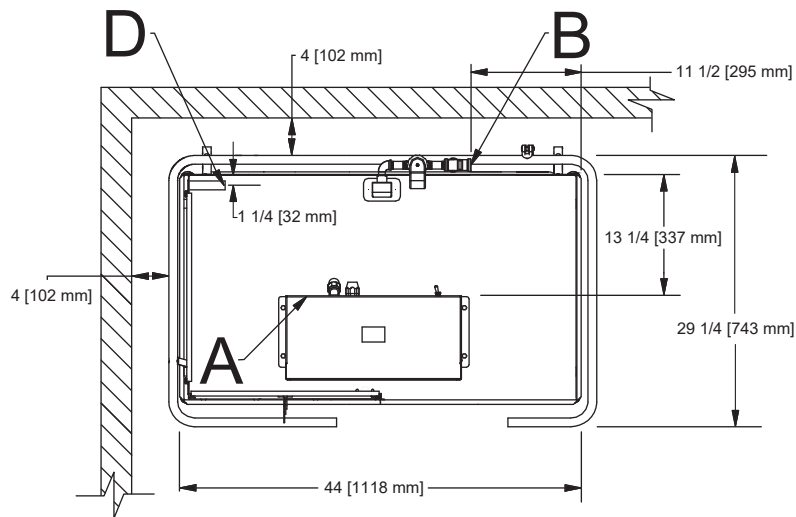


Table Dimensions
Connection to Dishmachine

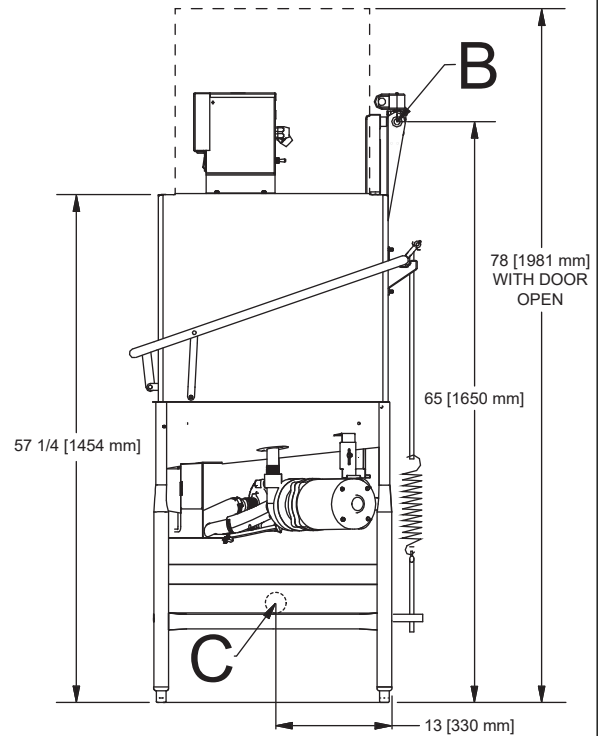
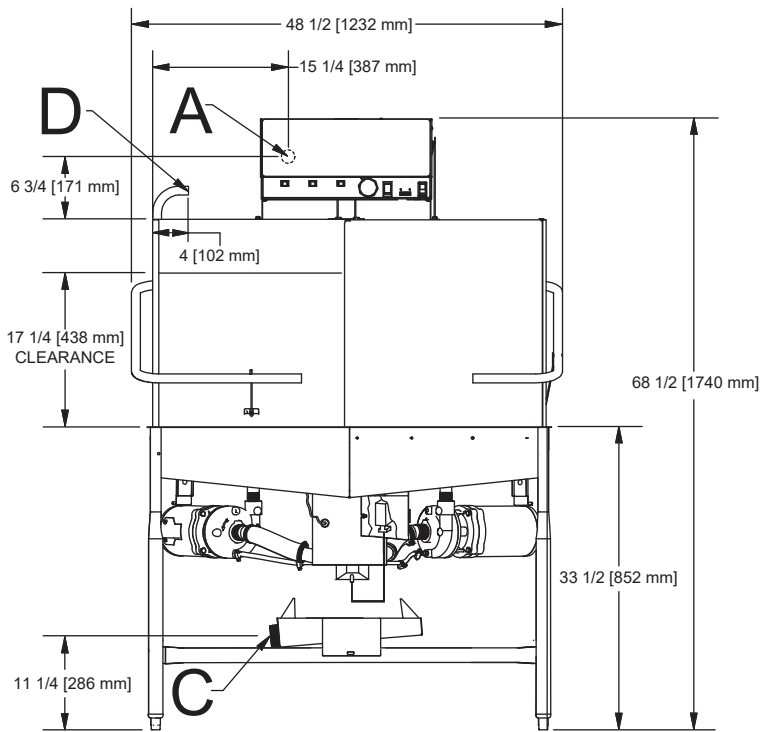




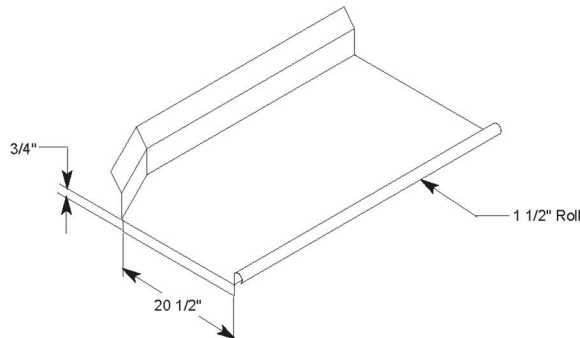
LEGEND

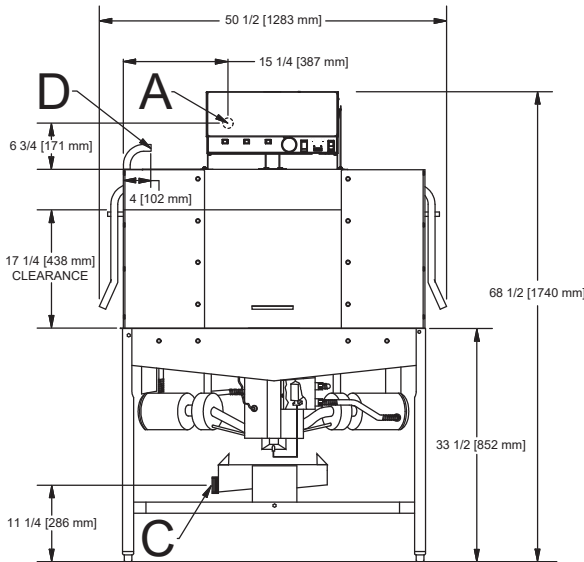
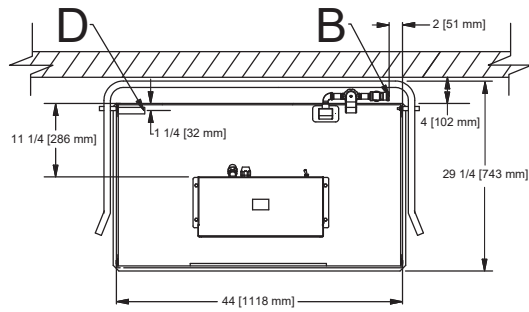
- A - Electrical Connection
- B - Water Inlet (3/4" NPT)
- C - Drain Connection (2" NPT)
- D - Chemical Connection

All dimensions from the floor can be increased 1 1/8" using the machine's adjustable feet.



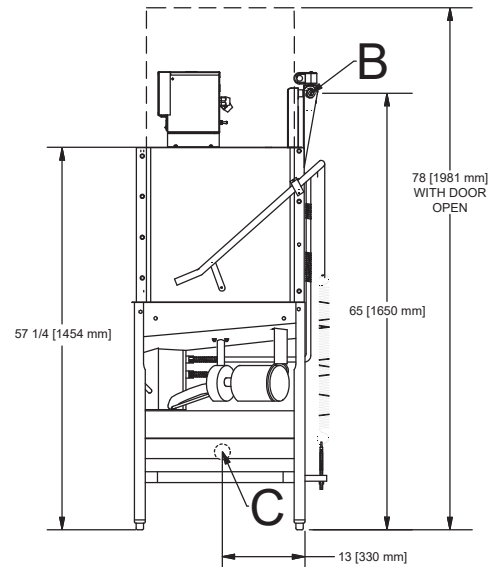
**Table Dimensions
Connection to Dishmachine**





LEGEND
 A - Electrical Connection
 B - Water Inlet (3/4" NPT)
 C - Drain Connection (2" NPT)
 D - Chemical Connection

All dimensions from the floor can be increased 1 1/8" using the machine's adjustable feet.



MODEL NO.	MACHINE DIMENSIONS					DRAIN HEIGHT	SHIPPING INFORMATION					
	HEIGHT	WIDTH	WIDTH BETWEEN DISHTABLES	DEPTH	WEIGHT		CLASS	CUBE	HEIGHT	WIDTH	DEPTH	
Conserver® XL2	68-1/2" (1740 mm)	50-1/2" (1283 mm)	44" (1118 mm)	29-1/4" (743 mm)	11-1/4" (286 mm)	360 lbs (164 kg)	300	98.96 cu. ft.	75" (1905 mm)	60" (1524 mm)	38" (966 mm)	
Conserver® XL2-CMR/CML	68-1/2" (1740 mm)	48-1/2" (1232 mm)	44" (1118 mm)	29-1/4" (743 mm)	11-1/4" (286 mm)	360 lbs (164 kg)	300	98.96 cu. ft.	75" (1905 mm)	60" (1524 mm)	38" (966 mm)	

DIMENSIONS	
Wall Clearance (minimum)	4" (102 mm)
Standard Table Height	34" (864 mm)
Inside Clearance	17-1/4" (438 mm)
Machine Height with Door Open	78" (1981 mm)

OPERATING CAPACITY	
Racks per Hour	82 (78)*
Dishes per Hour	2,050
Glasses per Hour	2,952

OPERATING CYCLE (seconds)	Wash	Rinse	Dwell	Total Cycle
	53	14	20	87

OPERATING TEMPERATURES	
Wash	120 °F min. (49 °C); 140 °F (60 °C) recommended
Rinse	120 °F min. (49 °C); 140 °F (60 °C) recommended

HOW TO SPECIFY: Conserver XL2/Conserver XL2-CMR
 Conserver XL2-CML

WATER	
Inlet Temperature	120 °F min. (49 °C); 140 °F (60 °C) recommended
Gallons per Hour	87.05 gal (329.52 L)
Gallons per Hour**	82.80 gal (302.83 L)
Gallons per Rack	1.06 gal (4.0 L)
Waterline Size IPS (minimum)	3/4"
Drainline Size IPS (minimum)	2"
Flow Pressure (PSI)	20 ± 5
Wash Tank Capacity	3.1 gal (11.8 L)
Minimum Chlorine Required (PPM)	50

ELECTRICAL	
Power Supply	Total Amp Load
115/60/1	20.0 A
208-230/60/1	10.0 A

WASH PUMP MOTOR	
Wash Pump	1 HP

*Racks per hour calculated with NSF suggested load time of five (5) seconds for door-type (straight thru)
 **Gallons per hour calculated with NSF suggested load time of five (5) seconds for door-type (straight thru)

Jackson WWS, Inc.
 Shipping Address: 6209 North U.S. Highway 25E, Gray, KY 40734
 Mailing Address: P.O. Box 1060, Barbourville, KY 40906
 Telephone: 888-800-5672 • Fax: 606-523-1799
 Email: info@jacksonwws.com
 07610-002-66-64 [03/25/21]

www.jacksonwws.com